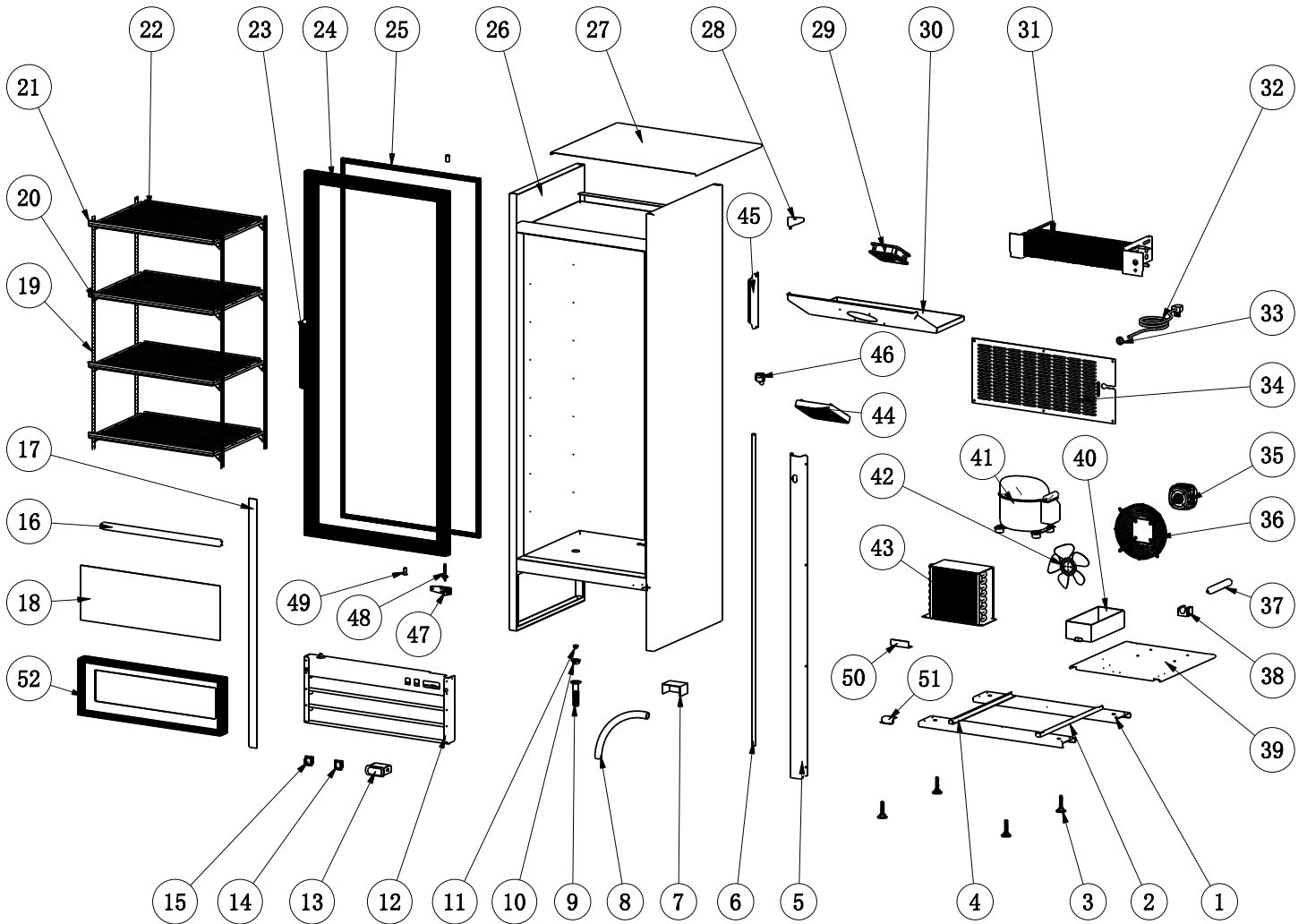


Parts Breakdown

Model RE-CN-0014-H 50035



Parts Breakdown

Model RE-CN-0014-H 50035

Item No.	Description	Position	Item No.	Description	Position	Item No.	Description	Position
AE907	Castor Supporter for 50035	1	AE911	K Strip for 50035	19	AB594	Filter for 50035	37
AE896	Right Track for Installation Board for 50035	2	26884	K Clip for 50035	20	AB595	Filter Fixer for 50035	38
AA185	Leveling Feet for 50035	3	AA725	Shelf Tag for 50035	21	AE904	Compressor Unit Installation Board for 50035	39
AE897	Left Track for Installation Board for 50035	4	AA726	Shelf for 50035	22	AE905	Outer Drain Pan for 50035	40
AE908	Air Pipe Protection Board for 50035	5	AA695	Glass Door Handle for 50035	23	AE906	Compressor for 50035	41
AA528	Inner Drain Pipe for 50035	6	AA727	Glass Door for 50035	24	AA208	Condenser Fan Blade for 50035	42
AA214	Thermostat Water Proof Cover for 50035	7	AA728	Glass Door Gasket for 50035	25	AA709	Condenser for 50035	43
AA216	Drain Tube for 50035	8	AE912	Top Cover for 50035	27	AA710	Evaporator Fan Motor Cover for 50035	44
AA686	Plastic Drain Pipe with Fixer for 50035	9, 10	AB966	Upper Right Hinge Holder for 50035	28	AA711	LED Power Supply for 50035	45
AA687	Drain Pipe Cover for 50035	11	AE901	Evaporator Fan Motor for 50035	29	AA712	Inner Drain Tube Connector for 50035	46
AE909	Front Grille for 50035	12	AE913	Evaporator Cover for 50035	30	AA713	Bottom Right Hinge Holder for 50035	47
AB109	Thermostat for 50035	13	AA733	Evaporator for 50035	31	AA714	Hinge Axis for 50035	48
AA362	LED Light Switch for 50035	14	AA135	Power Cord for 50035	32	AA715	Axis Cover for 50035	49
AA124	Power Switch for 50035	15	AA703	Power Cord Cover for 50035	33	AB974	Handle for Installation Board for 50035	50
AE910	LED in Light Box for 50035	16	AE914	Back Grill for 50035	34	AA304	Installation Board Limited Block for 50035	51
AA722	LED Light for 50035	17	AA705	Condenser Fan Motor for 50035	35	AA740	Light Box Frame for 50035	52
AA723	Handle of Installation Board for 50035	18	AA207	Condenser Fan Motor Cover for 50035	36			